



G-Series

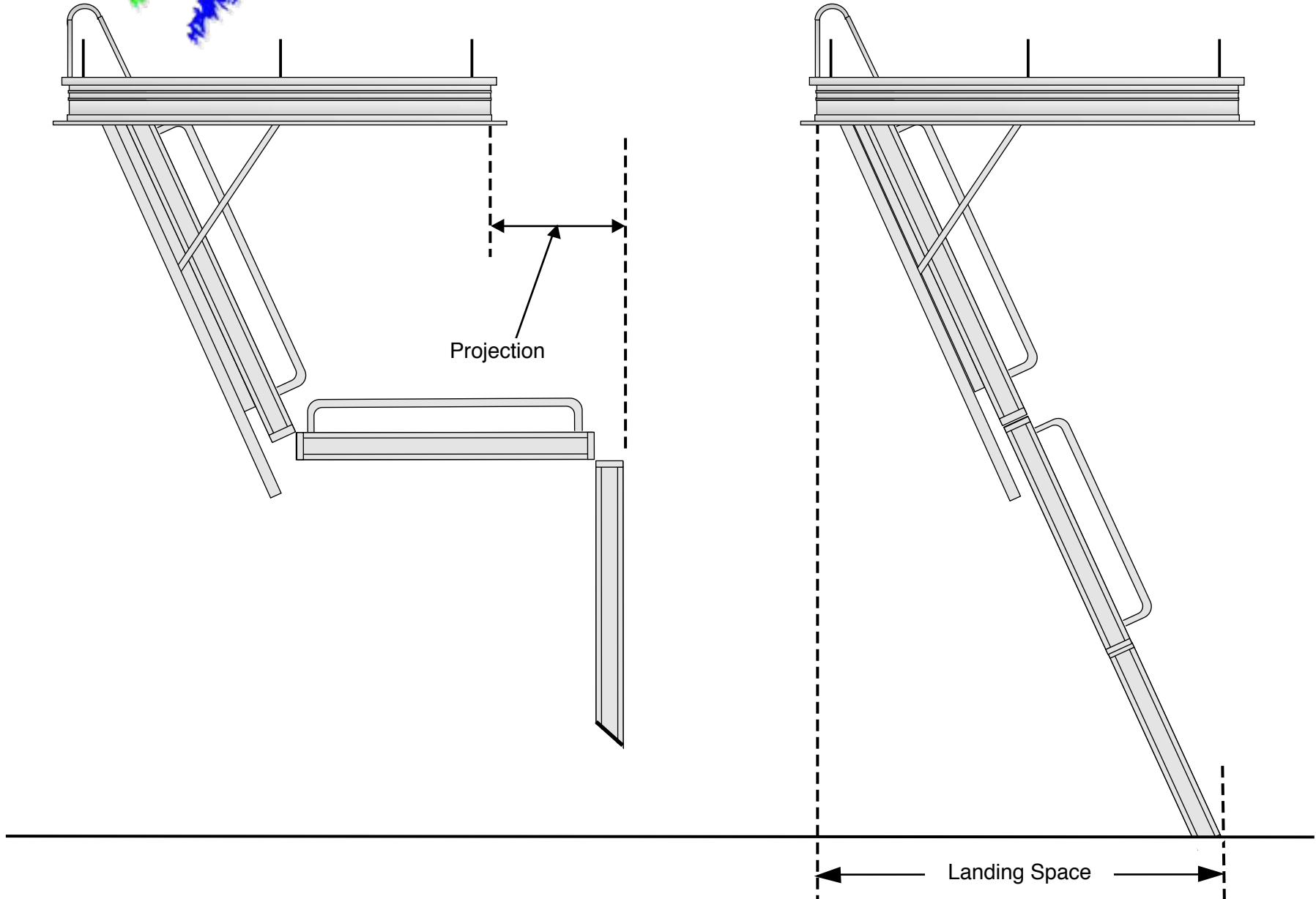
Specifications - Page 1 of 3

Series	Model Number	Rough Opening Dimension	Stair Frame Dimension	Tread Width	Tread Depth	# of Treads	Unit Weight	Floor-to-Ceiling Height Range	Stair Projection (Page 2)	Landing Space (Page 2)
G-8	G-2275-8	22 1/2" X 75"	22" X 74 1/2"	12"	3 1/4"	11	111 lbs.	7' - 4" to 8' - 4"	0"	75"
	G-3075-8	30" X 75"	29 1/2" X 74 1/2"	17"			123 lbs.			
G-9	G-2275-9	22 1/2" X 75"	22" X 74 1/2"	12"	3 1/4"	12	117 lbs.	8' - 2" to 9' - 4"	8"	83"
	G-3075-9	30" X 75"	29 1/2" X 74 1/2"	17"			130 lbs.			
G-10	G-2275-10	22 1/2" X 75"	22" X 74 1/2"	12"	3 1/4"	13	124 lbs.	9' - 4" to 10' - 4"	16"	89"
	G-3075-10	30" X 75"	29 1/2" X 74 1/2"	17"			138 lbs.			



G-Series

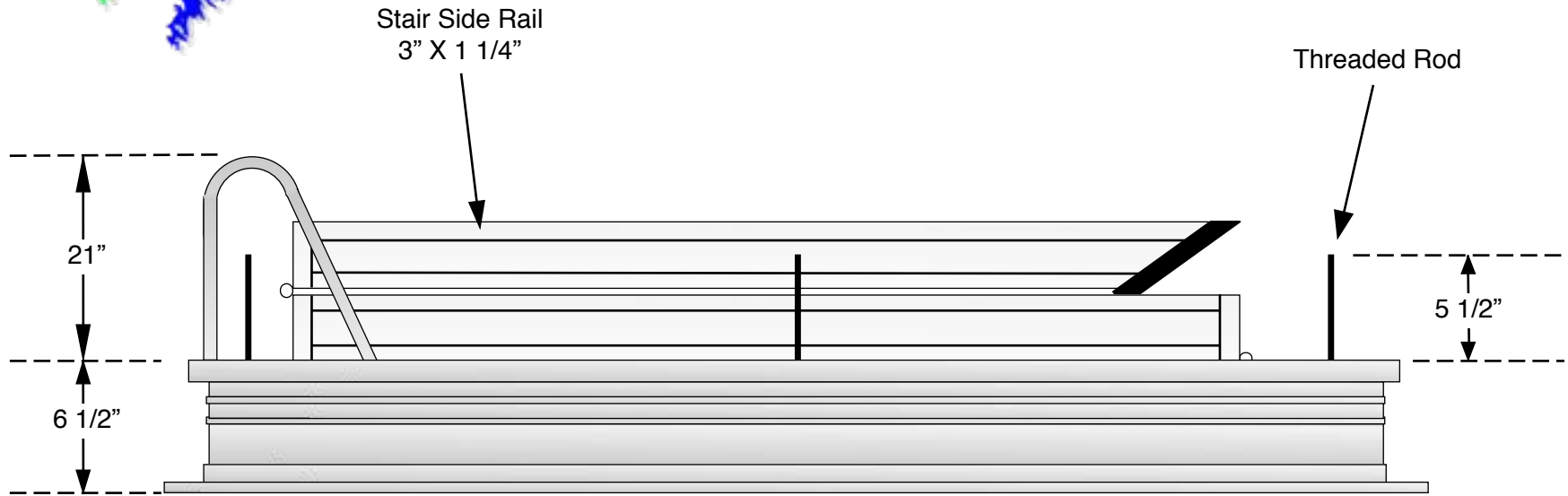
Specifications - Page 2 of 3



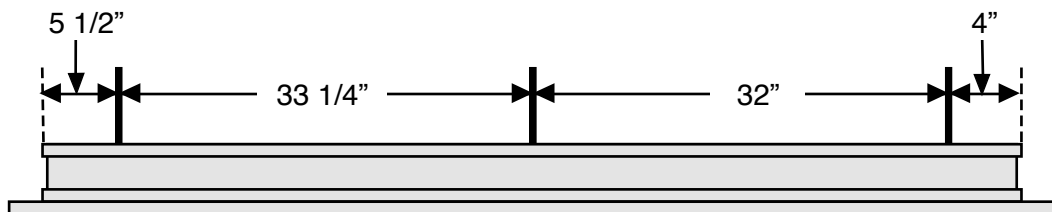


G-Series

Specifications - Page 3 of 3



Threaded Rod Placements



Standard installation hangers provided for threaded rods will accommodate beam heights up to a maximum of 12".

Optional extended threaded rod kits are available for taller beams up to a maximum 15".

Standard Stair Hanger
Max beam height - 12"

**** Optional Hanger ****
4" X 9 1/2"

